

Solution 4 (Series 4)



Solution 4

Ecodesign Ready and with a classic look.

This generation of Solution stoves produce the equivalent heat output of previous Solution models whilst using less fuel than ever before.

The humble size of this stove makes it ideal for installation not just in the home, but also smaller living spaces such as a canal boat or shepherd hut. Its multi fuel function will let you burn seasoned wood or solid smokeless fuel and is very easy to control.

Features

- Meets Ecodesign standards for clean burning on both Wood and Solid Fuel
- Suitable for smoke control areas
- Preheated airwash system for clean glass
- 10 year guarantee on the stove body
- Non-smoker paint, available in multiple colours
- Externally controlled riddling grate
- 5 inch top or rear flue outlet
- Optional rear heat shield for reduced distance to non-combustible material

Dimensions

Width	334 mm
Height	473 mm
Depth	387 mm
Ideal log length	200 mm



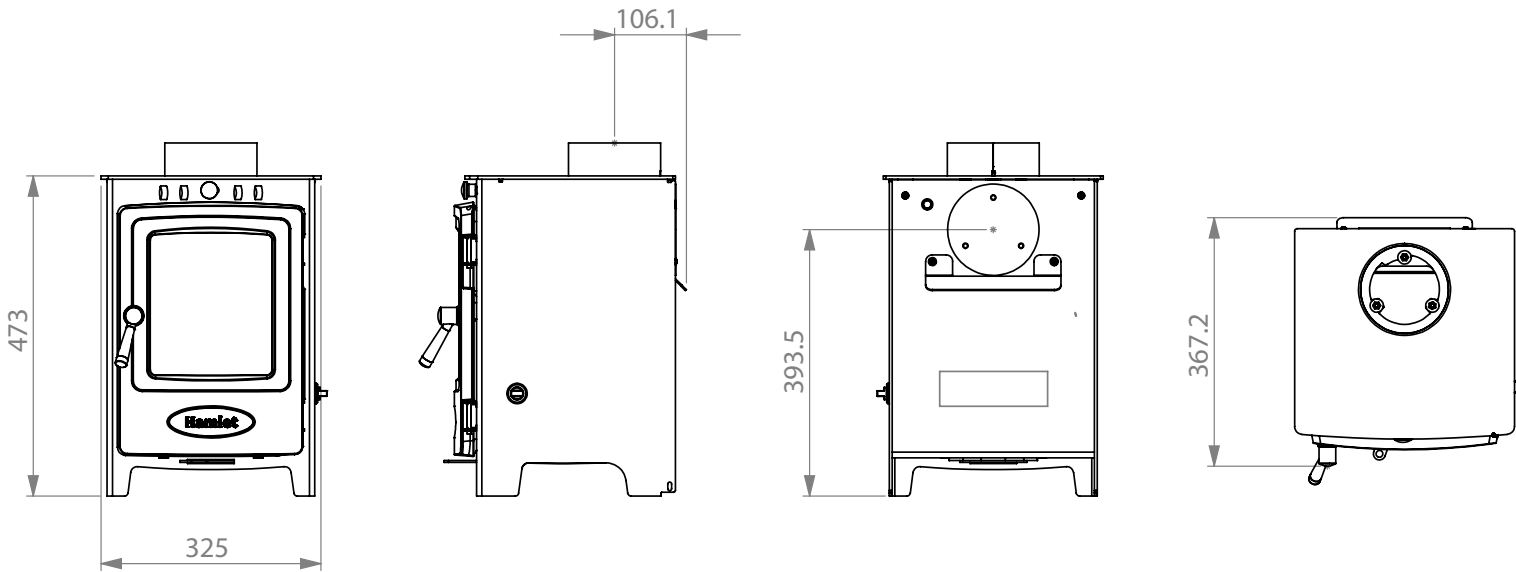
Solution 4



Ideal for smaller living spaces

Optional Extras: Safety Handle / Rear heat shield / Floor fixing kit / Direct air connection

Solution 4 (Series 4)



Dimensions

Width (inc. across canopy and riddle boss)	334 mm
Height	473 mm
Depth	387 mm
Flue Diameter	127 mm
Depth from back to centre of top flue	90 mm
Height to centre of rear flue	393.5 mm
Ideal log length / diameter	200mm / 100mm

Performance

	Wood Fuel	Solid Fuel
Energy Efficiency Class	A+	E
Nett Efficiency	83.1 %	75.5 %
Nominal Output	4.6 kW	4.4 kW
Output Range	3.5 - 6 kW	
Mean Co Emission (@13% O ₂)	0.10 %	0.11 %
DIN+ particulate	28 Nmg/m ³	16 Nmg/m ³
Mean NO _x Emission (@13% O ₂)	113 Nmg/m ³	150 Nmg/m ³
Mean OGC Emission (@13% O ₂)	91 Nmg/m ³	45 Nmg/m ³
Flue Gas Mass Flow	3.7 g/s	3.8 g/s
Flue Gas Temperature	232 °C	300 °C
Typical Fuel load for nominal rated output per hour (kWh/Kg)	0.94 (Seasoned hardwood)	0.70 (MSF Maxibrite)

Direct air spigot location

(when viewing the rear side of the stove)

Horizontal position	Centre
Distance from floor to centre	TBA mm

Features

Stove body type	Freestanding
Ecodesign Ready	Yes
Suitable for smoke control areas	Yes
Suitable for direct air connection	Yes *
Suitable for non-combustible 12mm hearth	Yes
Weight gross (packed kg)	62 Kg
Weight nett (unpacked kg)	58 Kg

Minimum distance to combustibles

	A	B	C
Rear	650 mm	375 mm	225 mm
Side	650 mm	650 mm	650 mm
Max hearth temp.	92 °C	92 °C	92 °C

A = Single Walled Flue, without Rear Heat Shield fitted
 B = Single Walled Flue, with Rear Heat Shield fitted
 C = Twin Walled Flue, with Rear Heat Shield fitted

We recommend this appliance is installed with clearance of 100mm to non-combustible materials.

Installation and operating instructions for this stove are available online at www.aradastoves.com.

* Note: The optional direct air adaptor for this model is not room-sealed and should not be installed on a stove in an air-tight property.