

Solution 7 Inset (Series 4)



Solution 7 Inset Series 4

Ecodesign Ready and with a classic look.

This generation of Solution stoves produces the equivalent heat output of previous Solution models whilst using less fuel than ever before.

This 7.1 kW stove is multi fuel allowing you to burn seasoned wood or solid smokeless fuel and is easy to control. The Solution 7 Inset stove is certain to keep your home warm and cosy.

Features

- Burns wood or solid fuel
- Ecodesign ready, suitable for smoke control areas
- Preheated airwash system for clean glass
- 10 year guarantee on the stove body
- Non-smoker paint, available in multiple colours
- Externally controlled riddling grate

Dimensions

Width	517 mm
Height	580 mm
Depth	469 mm
Ideal log length	300 mm



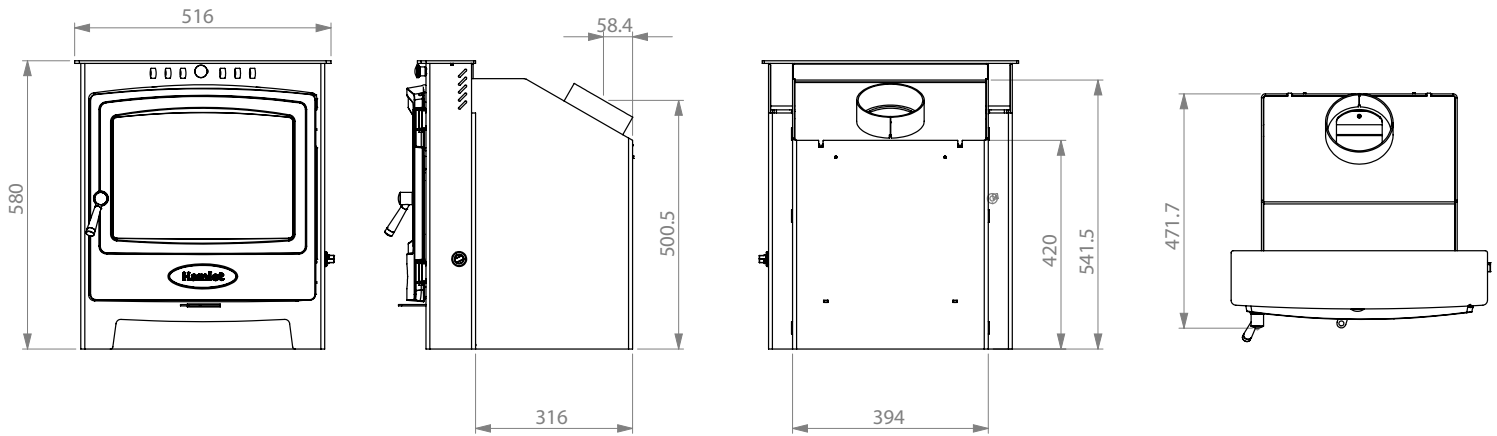
Solution 7 Inset



Clever design that's easy to use

Optional Extra: Safety Handle

Solution 7 Inset (Series 4)



Dimensions

Width (across canopy and riddle boss)	517 mm
Height	580 mm
Depth (from rear to handle boss)	469 mm
Width into opening	394 mm
Height into opening	544 mm
Depth into opening	316 mm
Depth of front fascia	100 mm
Flue Diameter	127 mm
Flue Outlet Angle from vertical	30 °
Ideal log length / diameter	300mm / 100mm

Minimum distance to combustibles

Top	200 mm
Side	175 mm
Max hearth temp.	70 °C

Features

Stove body type	Freestanding
Ecodesign Ready	Yes
Suitable for smoke control areas	Yes
Suitable for direct air connection	No
Suitable for non-combustible 12mm hearth	No ¹
Weight gross (packed kg)	91 Kg
Weight nett (unpacked kg)	85 Kg

Performance

	Wood Fuel	Solid Fuel
Energy Efficiency Class	A	E
Nett Efficiency	75.4 %	75.8 %
Nominal Output	7.1 kW	7.1 kW
Output Range	5 - 8.6 kW	
Mean Co Emission (@13% O ₂)	0.11 %	0.08 %
DIN+ particulate	27 Nmg/m ³	27 Nmg/m ³
Mean NO _x Emission (@13% O ₂)	95 Nmg/m ³	159 Nmg/m ³
Mean OGC Emission (@13% O ₂)	92 Nmg/m ³	43 Nmg/m ³
Flue Gas Mass Flow	6.23 g/s	6.4 g/s
Flue Gas Temperature	326 °C	332 °C
Typical Fuel load for nominal rated output per hour (kWh/Kg)	1.62 (Seasoned hardwood)	1.08 (MSF Maxibrite)

We recommend this appliance is installed with clearance of 100mm to non-combustible materials. Installation and operating instructions for this stove are available online at www.aradastoves.com.