

# Ecoburn 5 (Series 3)



Ecoburn 5 Series 3

*The Ecoburn 5 multi-fuel stove features the latest in Arada heating technology that combines a traditional stove appearance whilst meeting Ecodesign standards for clean burning on either wood or solid fuel.*

## Features

- Meets Ecodesign standards for clean burning on both Wood and Solid Fuel
- Lifetime guarantee
- Non-smoker paint, available in multiple colours
- Approved for use in Smoke Control Areas
- Stainless steel ash pan and throat plate
- Top or rear 127mm (5") flue outlet
- Direct air compatible
- Preheated airwash system for clean glass
- Externally controlled riddling grate
- Height adjusting legs as standard
- Optional rear heat shield for closer positioning to combustibles

## Dimensions

Width	453 mm
Height	617 mm
Depth	410 mm
Ideal log length	300 mm



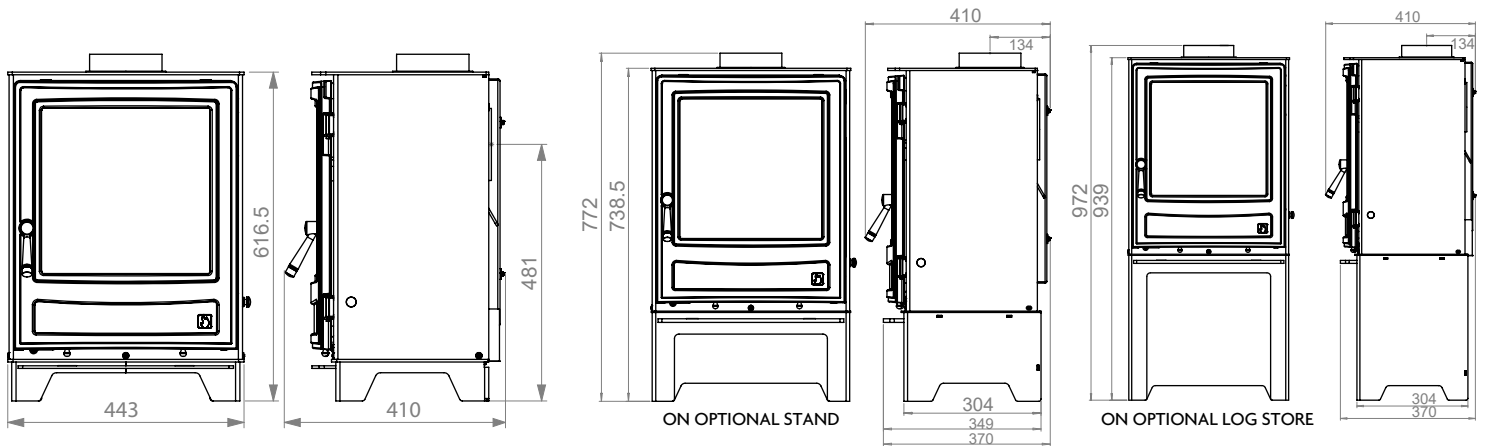
Ecoburn 5



Discreet but easy to use air controls

*Optional Extras: Safety Handle / Rear heat shield / Direct air kit / Floor fixing kit*

# Ecoburn 5 (Series 3)



## Dimensions

Width (inc. riddle control)	453 mm
Height	617 mm
Depth	410 mm
Total height on optional stand (with / without top flue collar)	772 / 738.5mm
Total height on optional log store (with / without top flue collar)	972 / 939 mm
Flue Diameter	127 mm
Depth from back to centre of top flue	134 mm
Height to centre of rear flue	481 mm
Max log length / diameter	300 / 100mm

## Features

Stove body type	Freestanding
Ecodesign Ready	Yes
Suitable for smoke control areas	Yes
Suitable for direct air connection	Yes
Suitable for non-combustible 12mm hearth	Yes
Weight gross (packed kg)	81.5 Kg
Weight nett (unpacked kg)	76.5 Kg

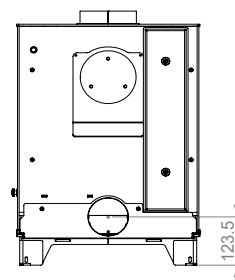
## Performance

	Wood Fuel	Solid Fuel
Energy Efficiency Class	A	D
Nett Efficiency	79.8 %	82.3 %
Nominal Output	4.9 kW	4.9 kW
Output Range	4.2 - 5.5 kW	
Mean Co Emission (@13% O <sub>2</sub> )	0.11 %	0.1 %
DIN+ particulate	27 Nmg/m <sup>3</sup>	10 Nmg/m <sup>3</sup>
Mean NO <sub>x</sub> Emission (@13% O <sub>2</sub> )	95 Nmg/m <sup>3</sup>	94 Nmg/m <sup>3</sup>
Mean OGC Emission (@13% O <sub>2</sub> )	86 Nmg/m <sup>3</sup>	26 Nmg/m <sup>3</sup>
Flue Gas Mass Flow	4.7 g/s	3.5 g/s
Flue Gas Temperature	255 °C	254°C
Typical Fuel load for nominal rated output per hour (kWh/Kg)	1.17 (Seasoned hardwood)	0.69 (MSF Maxibrite)

## Minimum distance to combustibles

	A	B	C
Rear	700 mm	350 mm	75 mm
Side	550 mm	525 mm	500 mm
Max hearth temp.	53.9 °C	51 °C	50.9 °C

A = Single Walled Flue, without Rear Heat Shield fitted  
 B = Single Walled Flue, with Rear Heat Shield fitted  
 C = Twin Walled Flue, with Rear Heat Shield fitted



## Direct air

Horizontal position	Centre
Distance from floor to centre	123.5 mm

We recommend this appliance is installed with clearance of 100mm to non-combustible materials  
 Installation and operating instructions for this stove are available online at [www.aradastoves.com](http://www.aradastoves.com).